

AVNET EMBEDDED SPECIFICATION.

Datasheet
GVision
MA15BX

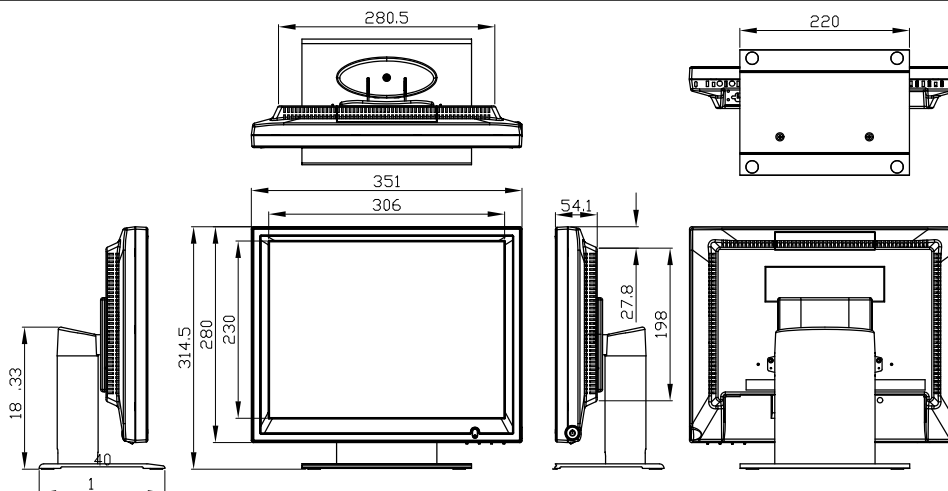
MA15BX

| Configuration | MA15BX |
|---------------------------------|---|
| LCD Display | 15" TFT active matrix panel |
| Max. Resolution | XGA 1024 x 768 |
| Brightness | 250 Cd/m ² (typical) |
| Display Color | 16.2M |
| Viewing Angle (CR \geq 10) | 140° (H) x 125° (V) (typical) |
| Lamp Life (hr) | 50,000 (minimum) |
| Input Signals | Analog, Digital, Video (NTSC / PAL / SECAM) |
| Scan Frequency | 60/70/72/75 Hz |
| Touch Panel | Resistive/Capacitive RS-232 or USB A type (option) |
| Operating Condition Temperature | 0°C-40°C (32°F-104°F) |
| Humidity | 20%-80% (no condensation) |
| Altitude | To 10,000 feet |
| Power | Medical power adaptor Input AC 100~240V, 50~60Hz; Output DC 12V / 4A, 48W |
| Carton Dimensions (WxHxD) | 438 x 460 x 214 mm |
| Certification | CE, FCC, UL60601-1, TUV EN60601-1 |

* Specifications are subject to change without notice.

Unit : mm

Mechanical drawing



Features

- * Fashionable housing design with slim bezel.
- * High contrast color TFT LCD display support resolution up to 1024 x 768. Compatible with IBM VGA, VESA standards.
- * Support DDC1/2B for plug & play compatibility.
- * Advanced OSD control for picture quality adjustment.
- * Stable aluminum stand base with angle adjustment -5° ~ 90°.
- * Auto detects multi signals input.
- * NTSC/PAL/SECAM video systems compatible.
- * Optional front panel IP54 standard.
- * VESA mounting.
- * RoHS Compliance.

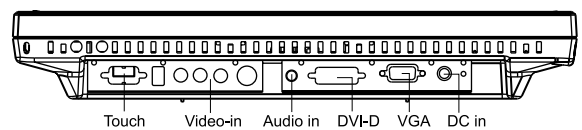
Optional Accessories

- * Resistive/Capacitive touch solutions
- * Anti-Glare/Anti-Reflective tempered glass
- * Customized touch solutions acceptable

Ordering Information

- * MA15BX-AA VGA only
- * MA15BX-AB VGA+DVI
- * MA15BX-AE VGA+DVI+Video-in

I/O Ports



AVNET EMBEDDED OFFICES.

DENMARK

Avnet Embedded
Avnet Nortec A/S
Ellekær 9
2730 Herlev
Phone: +45 3678 6250
Fax: +45 3678 6255
denmark@avnet-embedded.eu

FINLAND

Avnet Embedded
Avnet Nortec Oy
Tiilenpolttajankuja 3 A B
1720 Vantaa
Phone: +358 207 499260
Fax: +358 942 597446
finland@avnet-embedded.eu

FRANCE

Avnet Embedded
Avnet EMG France SA
Immeuble 154, Parc Chene 2
5, allée du General Benoist
69000 Bron
Phone: +33 4 72 81 02 30
Fax: +33 4 72 81 02 34
axess-bron@avnet-embedded.eu

Avnet Embedded
Avnet EMG France SA
6-8, rue Ambroise Croizat
ZAE Les Glaises
91127 Palaiseau Cedex
Phone: +33 1 64 47 29 29
Fax: +33 1 64 47 99 99
palaiseau@avnet-embedded.eu

Avnet Embedded
Avnet EMG France SA
ZA la Hallerais le Semiramis
2, allée du Communal
35770 Vern sur Seiche
Phone: +33 2 99 77 37 02
Fax: +33 2 99 77 33 38
axess-rennes@avnet-embedded.eu

GERMANY (AUSTRIA, CZECH REPUBLIC, HUNGARY, POLAND, SWITZERLAND)

Avnet Embedded
Avnet EMG GmbH
Gruber Straße 60c
85586 Poing
Phone: +49 8121 775 500
Fax: +49 8121 775 550
poing@avnet-embedded.eu

Avnet Embedded
Avnet EMG GmbH
Lötscher Weg 66
41334 Nettetal
Phone: +49 8121 775 500
Fax: +49 8121 775 550
nettetal@avnet-embedded.eu

ITALY (PORTUGAL, SPAIN)

Avnet Embedded
Avnet EMG Italy SRL
Via Manzoni, 44
20095 Cusano Milanino
Phone: +39 02 66092 1
Fax: +39 02 66092 498
milano@avnet-embedded.eu

NETHERLANDS (BELGIUM, LUXEMBOURG)

Avnet Embedded
Avnet B.V.
Takkebijsters 2
4802 BL Breda
Phone: +31 76 5722400
Fax: +31 76 5722404
benelux@avnet-embedded.eu

SWEDEN (NORWAY)

Avnet Embedded
Avnet Nortec AB
Esplanaden 3 D
172 67 Sundbyberg
Phone: +46 8 564 725 50
Fax: +46 8 760 01 10
sweden@avnet-embedded.eu

UNITED KINGDOM (IRELAND)

Avnet Embedded
Avnet EMG Ltd.
Pilgrims Court, 15/17 West Street
Reigate, Surrey, RH2 9BL
Phone: +44 1737 227800
Fax: +44 1737 243872
uk@avnet-embedded.eu

All trademarks and logos are the property of their respective owners. This document provides a brief overview only and is not intended to be complete or binding offer. Product information, including information related to a product's specifications, uses or conformance with legal or other requirements, is obtained by Avnet from its suppliers or other sources deemed reliable and is provided by Avnet on an „As Is“ basis. Avnet makes no representation as to the accuracy or completeness of the product information and Avnet disclaims all representations, warranties and liabilities under any theory with respect to the product information, including any implied warranties of merchantability, fitness for a particular purpose, title and/or non-refrangement. All product information is subject to change without notice.

LOCAL AVNET EMBEDDED BUSINESSES:

axess
technology

An Avnet Embedded Business

tdc

An Avnet Embedded Business

trident

An Avnet Embedded Business