

# AVNET EMBEDDED SPECIFICATION.

**Datasheet**  
GVision  
MA17BH

# 17" TFT LCD Monitor

## Medical Application

Where Versatility Meets Flexibility

# MA17BH

Configuration	MA17BH
LCD Display	17" TFT active matrix panel
Max. Resolution	SXGA 1280 x 1024
Brightness	300 Cd/m <sup>2</sup> (typical)
Display Color	16.7M
Viewing Angle (CR $\geq$ 10)	160° (H) x 160° (V) (typical)
Lamp Life (hr)	50,000 (typical)
Input Signal	Analog, Digital, Video (NTSC / PAL / SECAM)
Scan Frequency	60/70/72/75 Hz
Touch Panel	Resistive/Capacitive RS-232 or USB A type (option)
Operating Condition Temperature	0°C-40°C (32°F-104°F)
Humidity	20%-80% (no condensation)
Altitude	To 10,000 feet
Power	Medical power adaptor Input AC100~240V, 50~60Hz; Output DC 12V/4A, 48 W
Carton Dimensions (WxHxD)	452 x 461 x 228 mm
Certification	CE, FCC, UL60601-1, TUV EN60601-1

### Features

- \* Fashionable housing design with slim bezel.
- \* High contrast color TFT LCD display support resolution up to 1280x1024. Compatible with IBM VGA, VESA standards.
- \* Support DDC1/2B for plug & play compatibility.
- \* Advanced OSD control for picture quality adjustment.
- \* Stable aluminum stand base supports angle adjustment -5° ~ 90°.
- \* Auto detects multi signals input.
- \* NTSC/PAL/SECAM video systems compatible.
- \* Optional front panel IP54 standard.
- \* VESA mounting.
- \* RoHS Compliance.

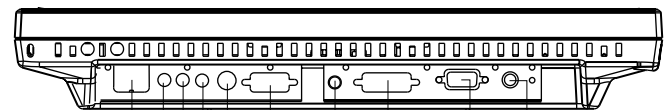
### Optional Accessories

- \* Resistive/Capacitive touch solutions
- \* Anti-Glare/Anti-Reflective tempered glass
- \* Customized touch solutions acceptable

### Ordering Information

- \* MA17BH-AA VGA only
- \* MA17BH-AB VGA+DVI
- \* MA17BH-AE VGA+DVI+Video-in

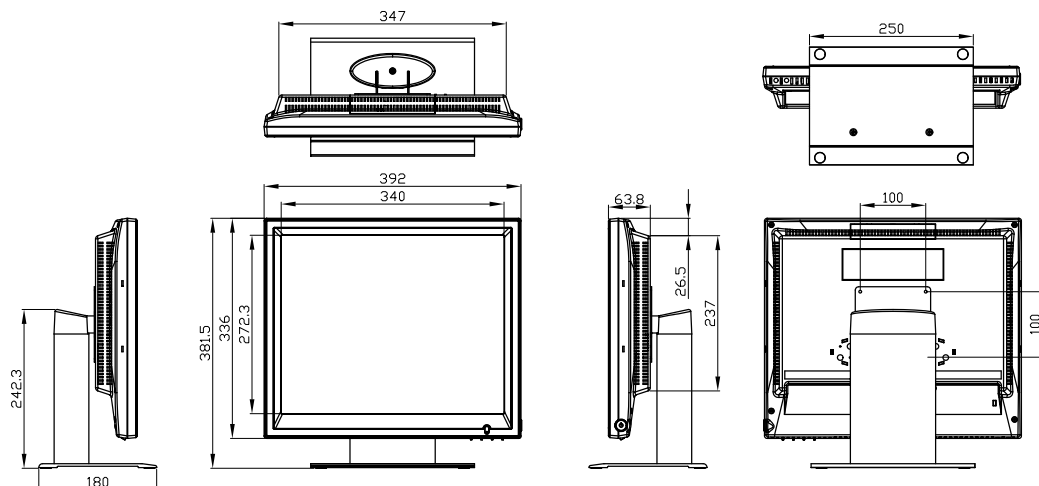
### I/O Ports



Touch A/V-in S-Video Touch Audio-in DVI-D VGA DC-in

### Mechanical drawing

Unit : mm



## AVNET EMBEDDED OFFICES.

### DENMARK

Avnet Embedded  
Avnet Nortec A/S  
Ellekær 9  
2730 Herlev  
Phone: +45 3678 6250  
Fax: +45 3678 6255  
denmark@avnet-embedded.eu

### FINLAND

Avnet Embedded  
Avnet Nortec Oy  
Tiilenpolttajankuja 3 A B  
1720 Vantaa  
Phone: +358 207 499260  
Fax: +358 942 597446  
finland@avnet-embedded.eu

### FRANCE

Avnet Embedded  
Avnet EMG France SA  
Immeuble 154, Parc Chene 2  
5, allée du General Benoist  
69000 Bron  
Phone: +33 4 72 81 02 30  
Fax: +33 4 72 81 02 34  
axess-bron@avnet-embedded.eu

Avnet Embedded  
Avnet EMG France SA  
6-8, rue Ambroise Croizat  
ZAE Les Glaises  
91127 Palaiseau Cedex  
Phone: +33 1 64 47 29 29  
Fax: +33 1 64 47 99 99  
palaiseau@avnet-embedded.eu

Avnet Embedded  
Avnet EMG France SA  
ZA la Hallerais le Semiramis  
2, allée du Communal  
35770 Vern sur Seiche  
Phone: +33 2 99 77 37 02  
Fax: +33 2 99 77 33 38  
axess-rennes@avnet-embedded.eu

### GERMANY (AUSTRIA, CZECH REPUBLIC, HUNGARY, POLAND, SWITZERLAND)

Avnet Embedded  
Avnet EMG GmbH  
Gruber Straße 60c  
85586 Poing  
Phone: +49 8121 775 500  
Fax: +49 8121 775 550  
poing@avnet-embedded.eu

Avnet Embedded  
Avnet EMG GmbH  
Lötscher Weg 66  
41334 Nettetal  
Phone: +49 8121 775 500  
Fax: +49 8121 775 550  
nettetal@avnet-embedded.eu

### ITALY (PORTUGAL, SPAIN)

Avnet Embedded  
Avnet EMG Italy SRL  
Via Manzoni, 44  
20095 Cusano Milanino  
Phone: +39 02 66092 1  
Fax: +39 02 66092 498  
milano@avnet-embedded.eu

### NETHERLANDS (BELGIUM, LUXEMBOURG)

Avnet Embedded  
Avnet B.V.  
Takkebijsters 2  
4802 BL Breda  
Phone: +31 76 5722400  
Fax: +31 76 5722404  
benelux@avnet-embedded.eu

### SWEDEN (NORWAY)

Avnet Embedded  
Avnet Nortec AB  
Esplanaden 3 D  
172 67 Sundbyberg  
Phone: +46 8 564 725 50  
Fax: +46 8 760 01 10  
sweden@avnet-embedded.eu

### UNITED KINGDOM (IRELAND)

Avnet Embedded  
Avnet EMG Ltd.  
Pilgrims Court, 15/17 West Street  
Reigate, Surrey, RH2 9BL  
Phone: +44 1737 227800  
Fax: +44 1737 243872  
uk@avnet-embedded.eu

All trademarks and logos are the property of their respective owners. This document provides a brief overview only and is not intended to be complete or binding offer. Product information, including information related to a product's specifications, uses or conformance with legal or other requirements, is obtained by Avnet from its suppliers or other sources deemed reliable and is provided by Avnet on an „As Is“ basis. Avnet makes no representation as to the accuracy or completeness of the product information and Avnet disclaims all representations, warranties and liabilities under any theory with respect to the product information, including any implied warranties of merchantability, fitness for a particular purpose, title and/or non-refrangement. All product information is subject to change without notice.

### LOCAL AVNET EMBEDDED BUSINESSES:

**axess**  
technology

An Avnet Embedded Business

**tdc**

An Avnet Embedded Business

**trident**

An Avnet Embedded Business